

# TA-10 INSTALLATION INSTRUCTIONS

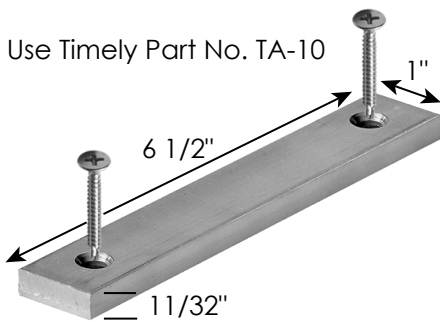
## REINFORCEMENT BRACKET FOR REGULAR ARM CLOSER

### INSTALLATION OF TIMELY TA-10 CLOSER REINFORCEMENT BRACKET

Timely TA-10 Reinforcement Bracket



Use Timely Part No. TA-10



1. Position Timely TA -10 closer reinforcement bracket on header in area where the closer shoe is to be mounted. (Figure1)
2. Mount bracket on frame even with top edge of header. (Figure1)
3. Drill pilot holes in header through countersunk holes in bracket and secure with the two wood or steel stud screws provided.
4. Snap casing over closer reinforcement bracket.
5. Position closer shoe onto frame and drill pilot holes through closer reinforcement bracket.
6. Tap these holes as specified in closer instructions.
7. Secure closer shoe to frame.

FIGURE 1

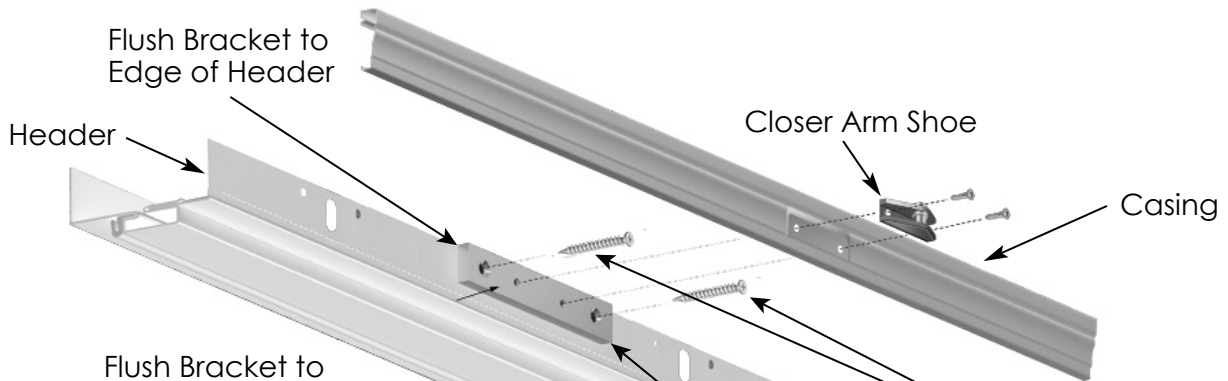


FIGURE 2

