

INSTALLATION INSTRUCTIONS

ADJUSTABLE KERF STEEL DOOR AND FRAME ASSEMBLY



TOOLS REQUIRED

Electric screw gun - #3 Phillips tip recommended for hinge screws, #2 Phillips tip recommended for all other screws used in assembly, tape measure, pencil and utility knife.

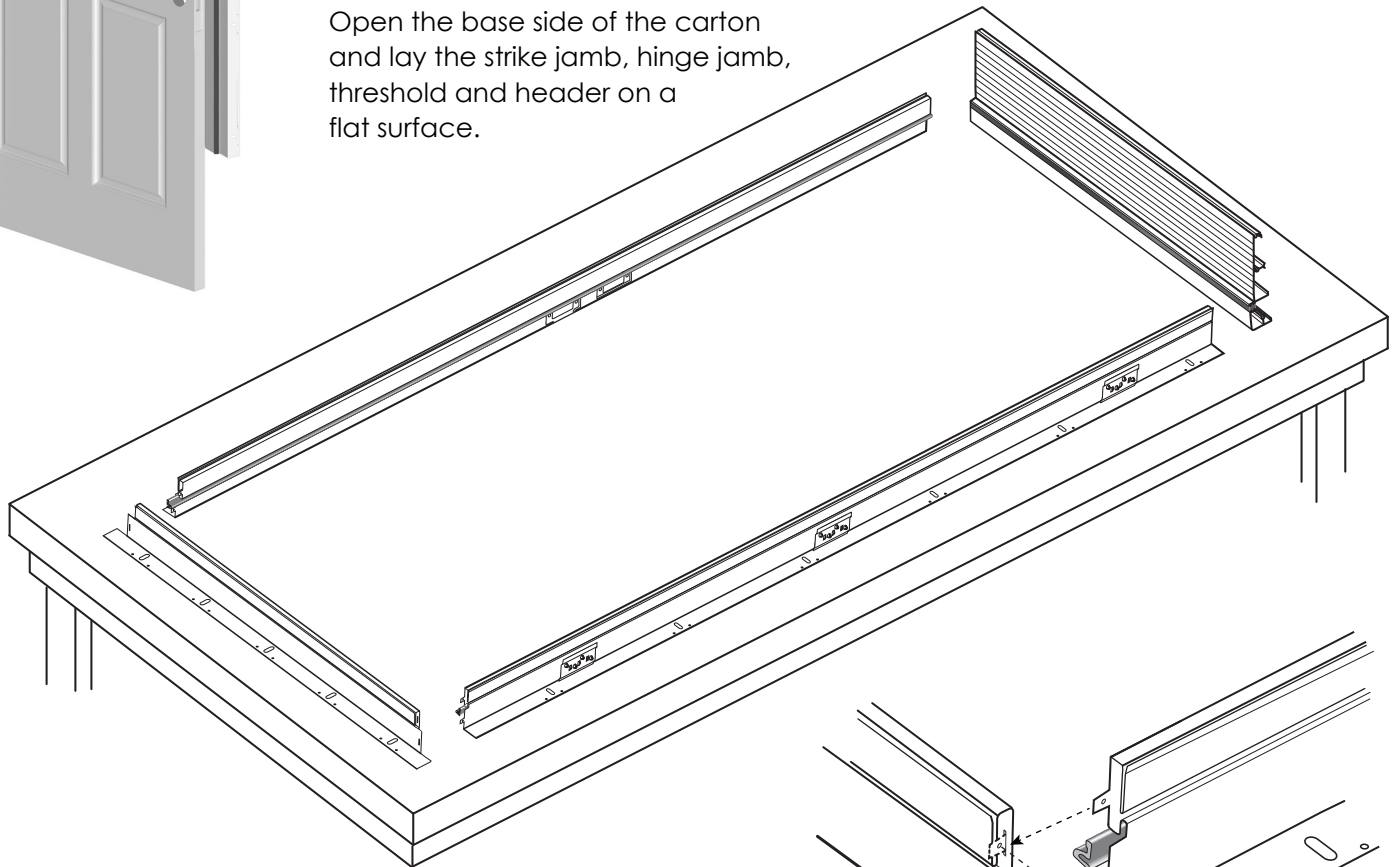
SAFETY WARNING

As with any building project. Please use caution. Read and follow all instructions and always use protective eyewear when installing a door system.

ASSEMBLY STEPS

STEP 1

Open the base side of the carton and lay the strike jamb, hinge jamb, threshold and header on a flat surface.



STEP 2

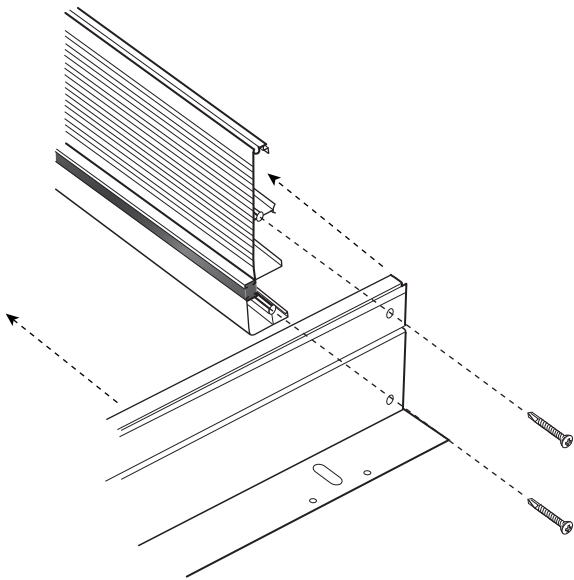
Attach uprights to header by inserting tabs through header slots. Use 2 #6 x 1 1/2" long panhead Phillips sheet metal screws through holes provided on tabs to secure uprights to header on each side.

INSTALLATION INSTRUCTIONS

ADJUSTABLE KERF STEEL DOOR AND FRAME ASSEMBLY

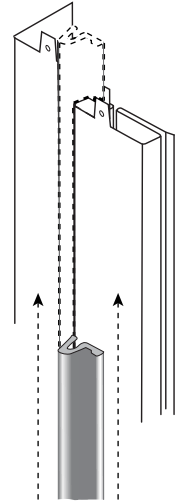
STEP 3

Attach threshold to uprights by using 2 - #6 x 1 1/2" long panhead philips sheet metal screws on each side.



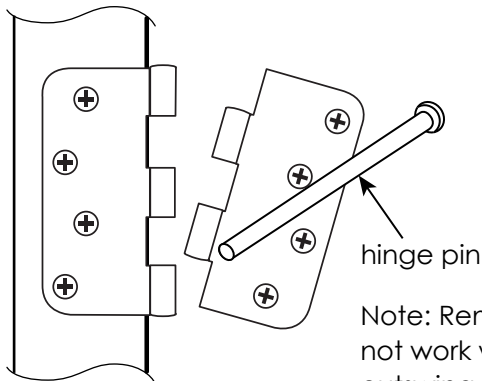
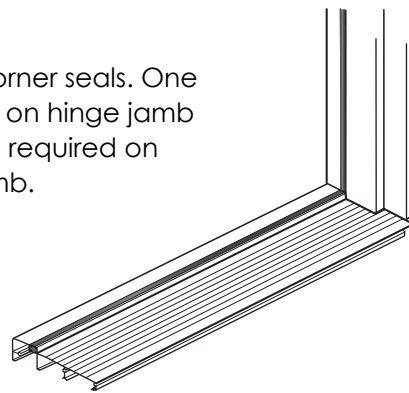
STEP 4

Insert weatherstrip into the kerf provided on the jamb. To ensure proper door closure and 90 minute fire rating, it is important to use **Schlegel Brand QEBD500** weatherstripping.



STEP 5

Apply corner seals. One required on hinge jamb and one required on strike jamb.

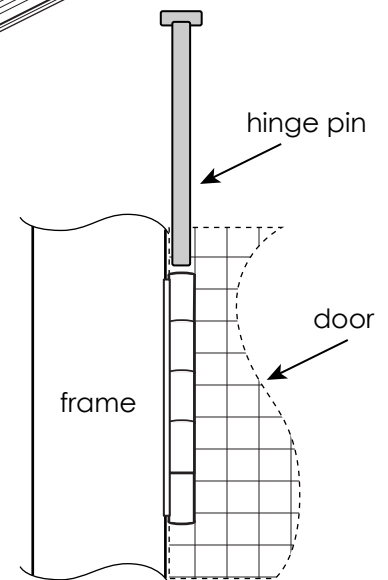


Note: Removal of hinge pin will not work with spring or fixed pin outswing application.

STEP 6

Disassemble the hinges by removing the pins. Attach the hinges to the frame by using #10-24 by 1/2" machine screws. Do not completely tighten the screw; allow enough room for the movement of the hinge.

Prepare the door. First install the hinges into the door per door manufacturer specifications. Again do not completely tighten the screws. Allow enough room for movement of the hinge.



STEP 7

Place the door into the frame and insert the three hinge pins. Tighten all hinge screws. Apply the 1/8" spacer at the top and side corner of the door. Install the pre-hang clip into the lock edge portion of the door using 2 #6 x 5/8" wood screws. The pre-hang bracket will hold the door in place once it is attached to the frame. Attach the pre-hang bracket to the frame using 2 #6 x 1/2" TEK screws. This will maintain the reveal while installing the door. The frame and door is now ready for installation.